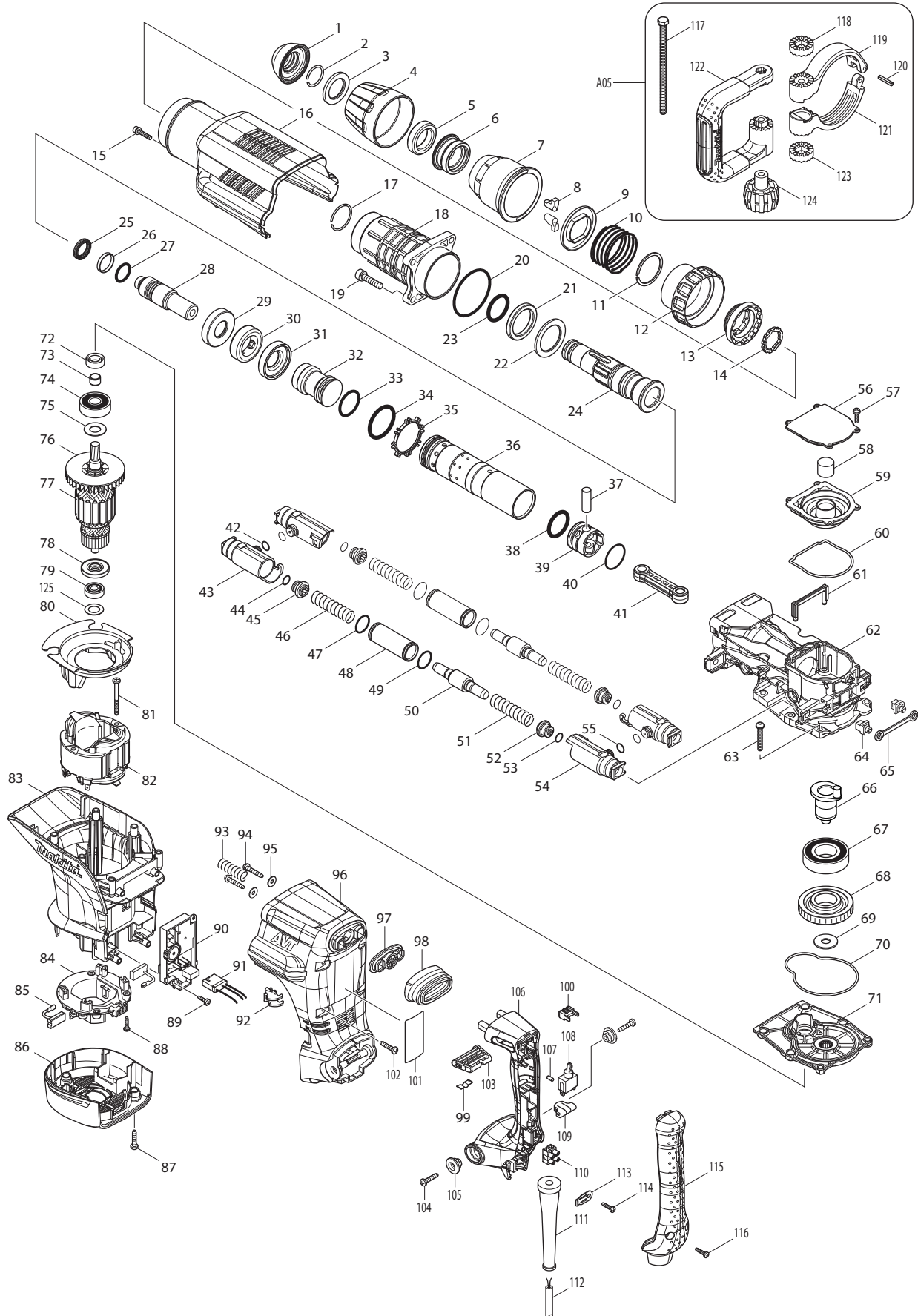




08 - 2010
HM1213C
23.8LB DEMOLITION HAMMER



Item No	Type	Ref	Part No	Description	Qty	Unit
001			424165-8	TOOL HOLDER CAP	1	PC.
002			233973-4	RING SPRING 26	1	PC.
003			267386-7	FLAT WASHER 30	1	PC.
004			450894-7	CHUCK COVER	1	PC.
005			262147-0	RUBBER RING 30	1	PC.
006			324987-5	CHUCK RING	1	PC.
007			450895-5	RELEASE COVER	1	PC.
008			310279-8	TOOL RETAINER	2	PC.
009			346015-6	SPRING GUIDE	1	PC.
010			234086-4	COMPRESSION SPRING 56	1	PC.
011			961232-3	RETAINING RING WR-45	1	PC.
012			450893-9	CHANGE RING COVER	1	PC.
013			324969-7	CHANGE RING	1	PC.
014			324988-3	LOCK RING	1	PC.
015			922243-3	HEX. SOCKET HEAD BOLT M5X25	1	PC.
016			450902-4	HOUSING COVER	1	PC.
017			233970-0	RING SPRING 35	1	PC.
018			158858-2	BARREL COMPLETE	1	PC.
019			922456-6	HEX. SOCKET HEAD BOLT M8X35	4	PC.
020			213720-9	O RING 67	1	PC.
021			262148-8	RUBBER RING 39	1	PC.
022			267387-5	FLAT WASHER 39	1	PC.
023			213079-4	O-RING 35.5	1	PC.
024			324985-9	TOOL HOLDER	1	PC.
025			213980-3	X-RING 21	1	PC.
026			213431-6	FLUORIDE RING 28	1	PC.
027			213394-6	O RING 23	1	PC.
028			324990-6	IMPACT BOLT	1	PC.
029			324993-0	SHOULDER SLEEVE	1	PC.
030			262149-6	RUBBER RING 24	1	PC.
031			324993-0	SHOULDER SLEEVE	1	PC.
032	2		326002-1	STRIKER	1	PC.
033			213499-2	O-RING 31.5	1	PC.
034			213581-7	O-RING 44	1	PC.
035			450889-0	ONE WAY VALVE GUIDE	1	PC.
036	2		331925-0	CYLINDER 40	1	PC.
037			268121-6	PIN 12	1	PC.
038			213499-2	O-RING 31.5	1	PC.
039			450961-8	PISTON	1	PC.
040			213149-9	O RING 35	1	PC.
041			450890-5	CONNECTING ROD	1	PC.
042			213118-0	O RING 12	2	PC.
043			318361-7	PIPE HOLDER	2	PC.
044			213118-0	O RING 12	2	PC.
045			419773-8	SPRING GUIDE	2	PC.
046			234085-6	COMPRESSION SPRING 15	2	PC.
047			213953-6	O RING 24	2	PC.
048			331745-2	PIPE 22	2	PC.
049			213953-6	O RING 24	2	PC.
050			324992-2	COUNTER WEIGHT	2	PC.
051			234085-6	COMPRESSION SPRING 15	2	PC.
052			419773-8	SPRING GUIDE	2	PC.
053			213118-0	O RING 12	2	PC.
054			318361-7	PIPE HOLDER	2	PC.
055			213118-0	O RING 12	2	PC.
056			450899-7	CRANK CAP COVER	1	PC.

Item No	Type	Ref	Part No	Description	Qty	Unit
057			911133-5	PAN HEAD SCREW M4X18	4	PC.
058			443127-7	FILTER	1	PC.
059			450898-9	CRANK CAP	1	PC.
060			424166-6	SEAL RING	1	PC.
061			450892-1	AIR PIPE	1	PC.
062			318363-3	CRANK HOUSING	1	PC.
063			266482-8	H.S.BOTTON HEAD SCREW M6X40	6	PC.
064			419008-7	FIX GUIDE	2	PC.
065			423366-5	CUSHION PLATE	1	PC.
066			324994-8	CRANK SHAFT	1	PC.
067			211424-7	BALL BEARING 6206LLU	1	PC.
068			226691-1	HELICAL GEAR 57	1	PC.
069			267398-0	FLAT WASHER 12	1	PC.
070			424167-4	SEAL RING	1	PC.
071			158859-0	GEAR HOUSING COMPLETE	1	PC.
072			213231-4	OIL SEAL 15	1	PC.
073			331596-3	SLEEVE 12	1	PC.
074			211249-9	BALL BEARING 6302LLU	1	PC.
075			267397-2	FLAT WASHER 15	1	PC.
076			240003-4	FAN 80	1	PC.
077			517816-1	ARMATURE ASSEMBLY 115V	1	PC.
		INC.		Item No. 73, 74, 75, 76, 78, 79	1	PC.
078			681642-5	INSULATION WASHER	1	PC.
079	2		211289-7	BALL BEARING 6000DDW	1	PC.
080			450900-8	BAFFLE PLATE	1	PC.
081			266095-5	TAPPING SCREW 5X55	2	PC.
082			636301-6	FIELD 115V	1	PC.
083			450904-0	MOTOR HOUSING	1	PC.
084	2		632D00-2	* BRUSH HOLDER UNIT	1	PC.
085	3		195845-0	CARBON BRUSH CB-175 2PC/SET (W/ ORIGIN)	1	SET
086			450901-6	REAR COVER	1	PC.
087			266041-8	TAPPING SCREW 5X25	3	PC.
088			265995-6	TAPPING SCREW 4X18	4	PC.
089	3		265678-8	TAPPING SCREW 4X18	2	PC.
090			631893-0	CONTROLLER	1	PC.
091			638650-7	LEAD UNIT	1	PC.
092			419010-0	LENS	1	PC.
093			233434-4	COMPRESSION SPRING 11	1	PC.
094			266173-1	TAPPING SCREW 5X30	2	PC.
095			253807-5	FLAT WASHER 5	2	PC.
096			450905-8	HANDLE BASE	1	PC.
097			419783-5	DUST COVER SUPPORT	1	PC.
098			424001-8	DUST COVER	1	PC.
099			232209-8	LEAF SPRING	1	PC.
100			450891-3	LEVER STOPPER	1	PC.
101	2		814S58-5	NAME PLATE F/HM1213C	1	PC.
102			266041-8	TAPPING SCREW 5X25	6	PC.
103			450896-3	SLIDE LEVER	1	PC.
104			266041-8	TAPPING SCREW 5X25	2	PC.
105	2		450352-3	SHOULDER SLEEVE 6	2	PC.
106			450906-6	HANDLE	1	PC.
107			263027-3	RUBBER PIN 4	1	PC.
108			651423-1	SWITCH, SINGLE	1	PC.
109			423379-6	SPONGE SHEET	1	PC.
110			654531-7	TERMINAL BLOCK 2P	1	PC.
111			682560-0	CORD GUARD 10	1	PC.

Item No	Type	Ref	Part No	Description	Qty	Unit
112			664471-1	CORD W/PLUG 2P-14-5.0M, SJ	1	PC.
113			687169-3	STRAIN RELIEF	1	PC.
114			265995-6	TAPPING SCREW 4X18	1	PC.
115			450908-2	HANDLE COVER	1	PC.
116			265995-6	TAPPING SCREW 4X18	2	PC.
117			265439-6	HEX. BOLT M8X150	1	PC.
118			417002-3	SIDE HANDLE CAM	1	PC.
119			318505-9	SIDE HANDLE BASE 82A	1	PC.
120			951166-8	SPRING PIN 5-24	1	PC.
121			318506-7	SIDE HANDLE BASE 82B	1	PC.
122			417003-1	SIDE HANDLE	1	PC.
123			417002-3	SIDE HANDLE CAM	1	PC.
124			252640-2	WING NUT M8	1	PC.
125			267164-5	FLAT WASHER 15	1	PC.
200			652008-6	PAN HEAD SCREW M3.5X7 (F/SWITCH)	2	PC.
<u>ACCESSORIES</u>			- See catalogue or visit www.makita.ca for more optional accessories -			
A01			751423-A	SDS-MAX BULL POINT 12"	1	PC.
A02	2		194683-7	GREASE VESSEL SET, 100CC, PUMP TYPE, FOR BIT	1	PC.
A03			443122-7	CLOTH	1	PC.
A04			824908-2	PLASTIC CARRRYING CASE	1	PC.
		INC.	450990-1	HANDLE	1	PC.
		INC.	325637-5	SHAFT	1	PC.
		INC.	162271-8	LATCH	2	PC.
A05			135269-8	SIDE HANDLE 82 ASS'Y (D-shape)	1	PC.
		INC.		Item No. 117-124	1	PC.
A06			195114-9	HAMMER SERVICE KIT	1	PC.
		INC.	424165-8	TOOL HOLDER CAP	1	PC.
		INC.	213980-3	X RING 21	1	PC.
		INC.	213394-6	O RING 23	1	PC.
		INC.	213149-9	O RING 35	1	PC.
		INC.	213499-2	O RING 31.5	2	PC.
		INC.	213079-4	O RING 35.5	1	PC.
		INC.	262149-6	RUBBER RING 24	1	PC.
		INC.	262148-8	RUBBER RING 39	1	PC.
		INC.	213431-6	FLUORIDE RING 28	1	PC.
		INC.	195845-0	CARBON BRUSH CB-175 2PC/SET (W/ ORIGIN)	1	SET
		INC.	A-90582	HAMMER GREASE 30CC (1OZ)	2	PC.
A07	1		196571-4	DUST EXTRACTOR ATTACHMENT SET	1	PC.
	2		199019-5	DUST EXTRACTOR ATTACHMENT SET	1	PC.
		INC.	142350-8	HOSE COMPLETE 28 - 1.5	1	PC.
		INC.	415021-3	HOSE JOINT	1	PC.
		INC.	454749-8	HOSE HOLDER A	1	PC.
		INC.	454750-3	HOSE HOLDER B	1	PC.
		INC.	454809-6	HOSE HOLDER C	1	PC.
		INC.				
		TP2	195545-2	FRONT CUFF 38 PKG	1	PC.
		INC.				
		TP2	195547-8	FRONT CUFF 22	1	PC.

SERVICE CHANGES

1. Changes on Brush Holder Unit

(TI#A4072)

Item No.	Description	Type 1	Type 2
84	BRUSH HOLDER UNIT	638447-4	632D00-2

Type 1

Type 2

